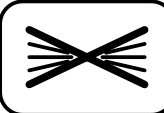





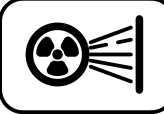


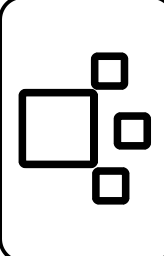
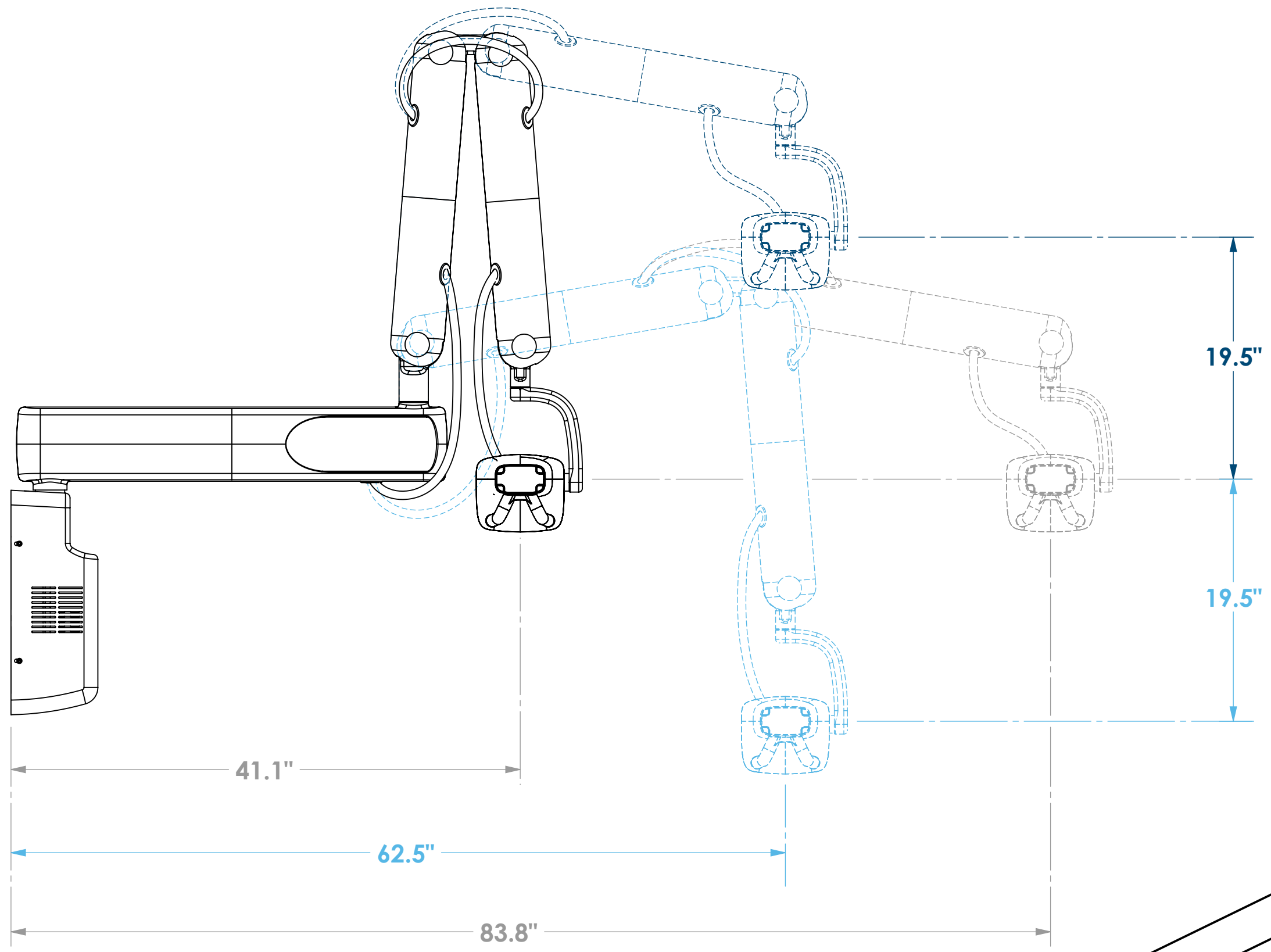


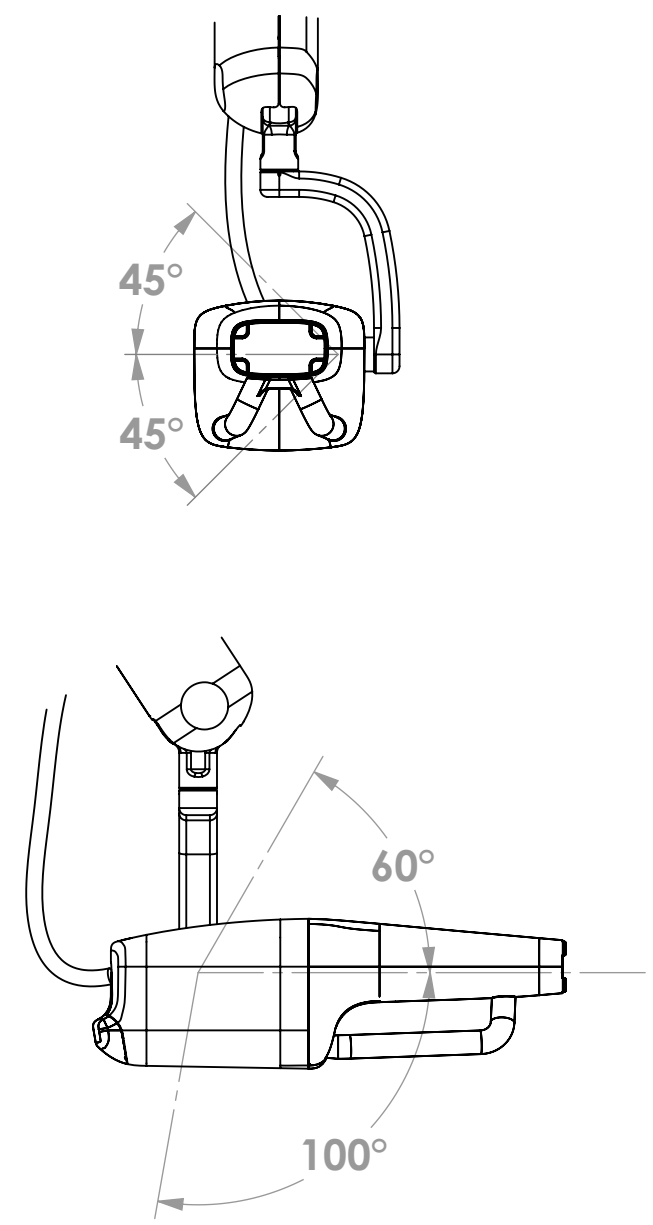
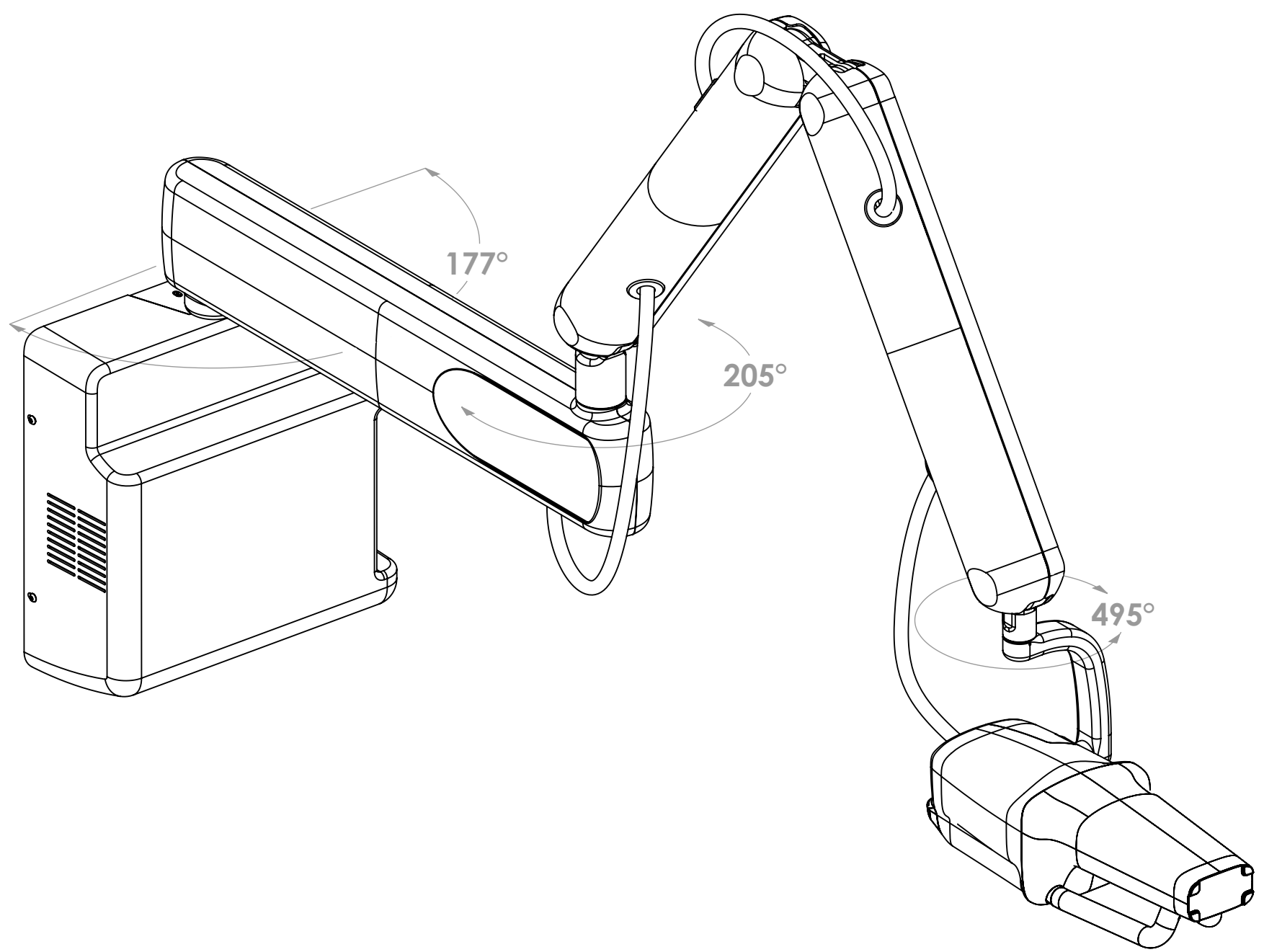
TECHNICAL SPECIFICATIONS

PORTRAY™ X-Ray System: DW-30-00

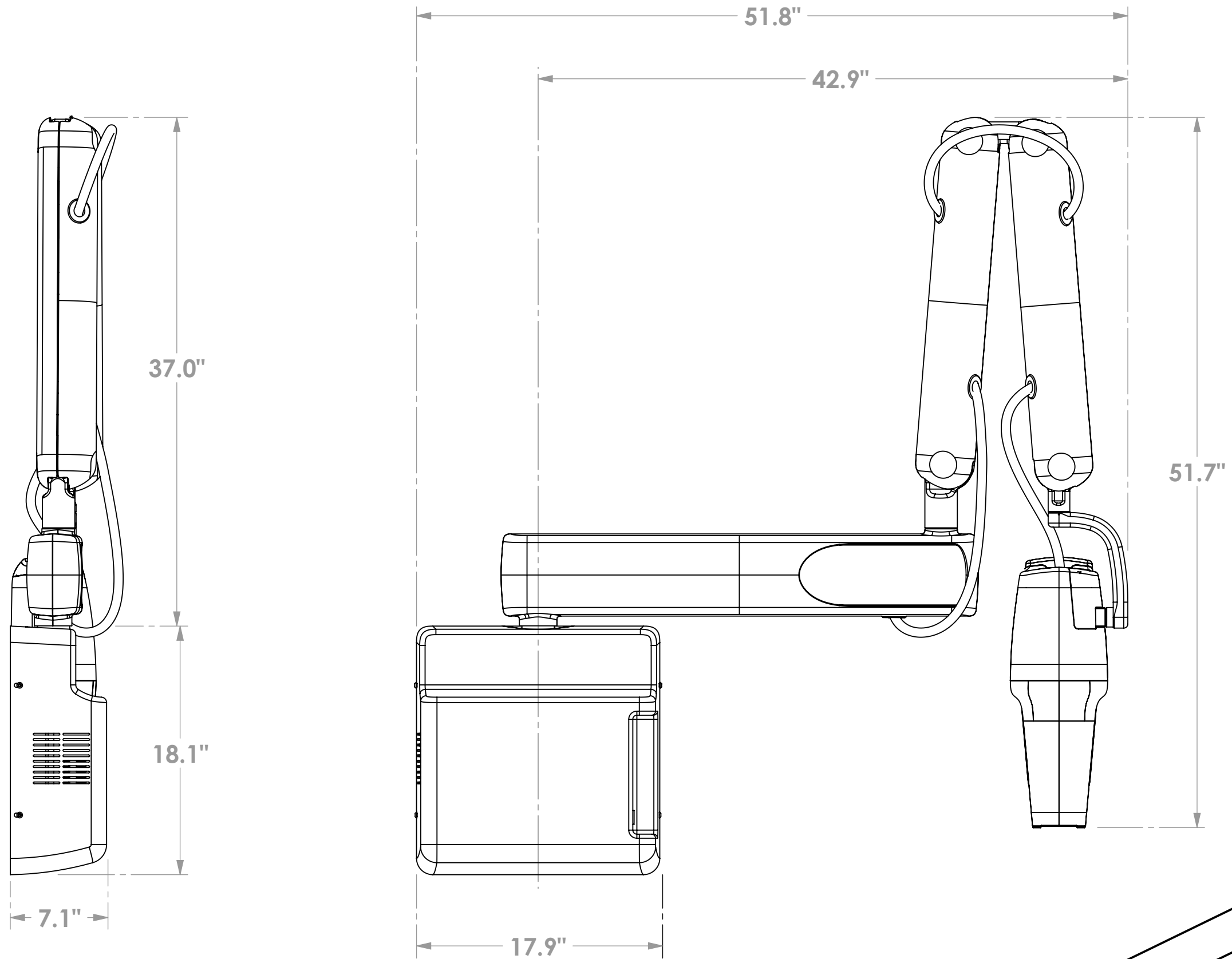
	Focal Spot Size	0.7mm (IEC 60336)
	Tube Voltage	60kV or 70kV
	Tube Current	7mA
	Exposure Time Range 2D	0.04 sec - 0.25 sec
	Exposure Time Range 3D	0.063 sec - 1.00 sec
	Source to Sensor Distance	400 mm
	Source to End of Cone Distance	308 mm
	Arm Length	83.8 in (213 cm)
	Weight	112.5 lbs
	Accessories	<ul style="list-style-type: none">• Remote Exposure Operator Panel• Dell Desktop Computer with GPU• Size 2 CMOS Sensor• Detector Holders: Anterior, Posterior (Left and Right), Bitewing

**These specifications are subject to change without prior notice*





PORTRAY™



PORTRAY™